

TGW Industries Served:

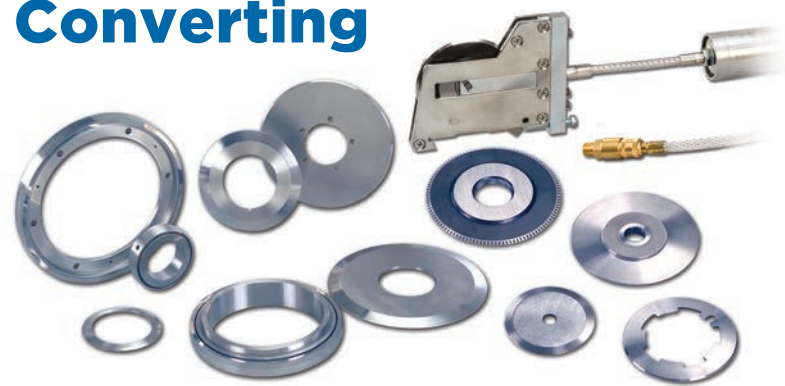
Packaging: At TGW, we manufacture packaging knives for applications including vertical form, fill, seal (VFFS), horizontal wrapping, cup and tray sealing, and vacuum packaging. Using only European stainless steel and a precision crush ground technique, we provide our clients products that boast consistent tooth profiles for precise cutting and superior performance.

Processing: At TGW, we manufacture replacement knives and related parts for the processing industry, serving a wide range of clients worldwide ranging from bakery and vegetables to meat and seafood, with available configurations including straight and circular knives with serrated or scalloped teeth and beveled edges.

Printing: At TGW, we manufacture a range of machine knives to serve the printing industry and meet all of your web press and sheet fed printing machinery, bindery, mail room and finishing department machinery needs. Our variety of steels, finishes and coatings allows for maximum wear resistance, dust control and cut quality.

Converting: At TGW, we manufacture standard and precision circular and rectangular replacement industrial machine knives for all levels of the converting industry, ranging from paper, plastics, foils, tires and textiles to circuit boards and synthetic components. Our products are crafted from the highest grade steel, with specially selected coatings to help prolong product life and increase performance.

Converting



At TGW, we leverage our vast industry and product knowledge to manufacture the highest quality precision ground circular and straight knives for the pulp & paper, flexible packaging, film, foil, laminated, plastics and non-woven industries. Our knives are manufactured to not only meet, but often exceed OEM standards, with custom manufacturing available to meet the needs of each customer's unique applications. We specialize in all of the standard, and many of the non-standard, converting process knives, including:

- Top slitters
- Score & crush slitters
- Web splicers
- Split perfs
- Multi-grooved knife blocks
- Sheeters
- Core cutters
- Rotary cutoff knives
- Razor slitters
- Knife holders
- Dished slitters
- Razor blades
- Bottom knives & anvils
- Split slitters
- Paper tube saws



TGW has built a quality and service tradition in the industrial machine knife industry, with a legacy that has existed for over 100 years. We boast a unique array of dedicated machines and manufacturing cells to meet the consistent demand of our dynamic customers' needs with quick turnaround. Our products are carefully crafted under strict quality control using OEM specifications. Most of our knives are *available in stock*, with high quality materials selected to prolong the life and performance of the product. Our vast inventory allows for same-day shipping on a large variety of standard knives and products.

Using only European stainless steel, we are a global leader and the go-to machine knife manufacturer for OEMs across industries. At TGW, we leverage our 100-plus years of industry experience to bring a unique understanding of machine knife composition, providing superior-quality material grades, hardness and finishes, and precise dimensional tolerances to provide our customers maximum yield.

We deliver nothing less than the highest quality knives, with superior technical expertise and the best service in the industrial machine knife industry.

TGW

INTERNATIONAL
MACHINE KNIFE MANUFACTURER

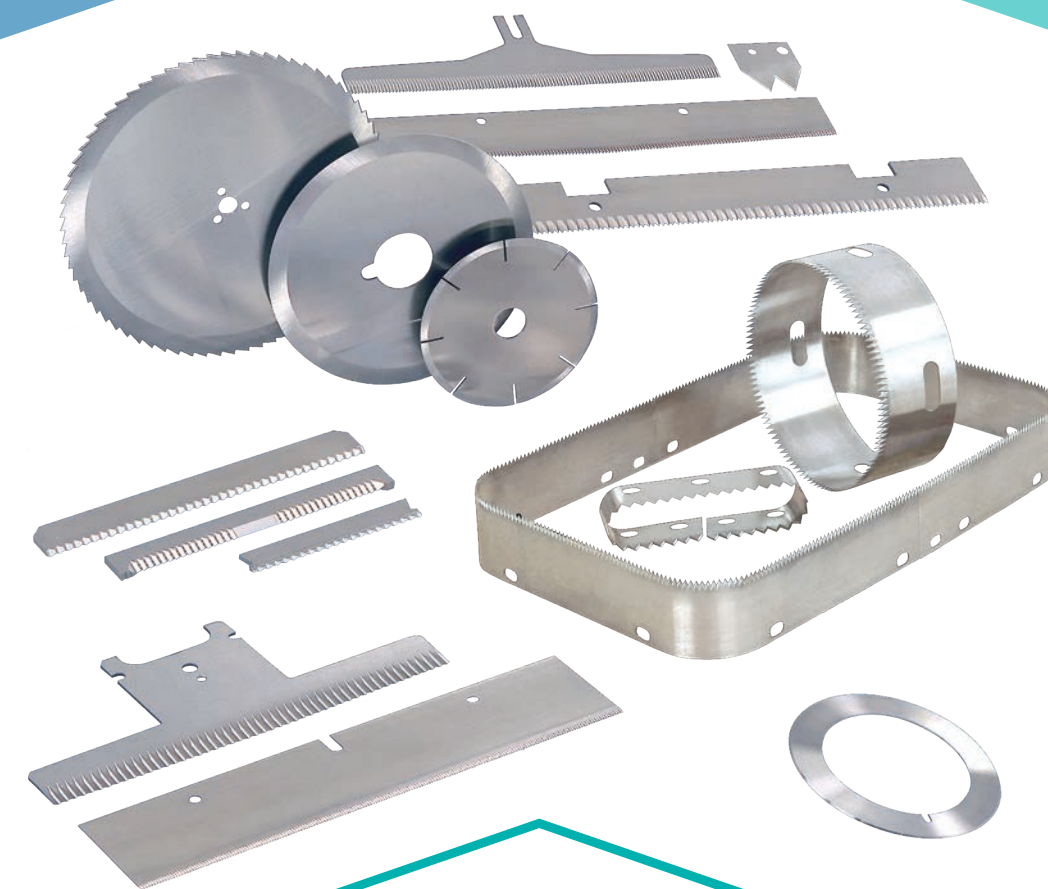
Knowledge Leader. Valued Partner. Superior Quality. **Delivered.**™

Tel. 859-647-7383 • Toll Free 1-800-407-0173
Fax 859-647-7877 • sales@tgwint.com

tgwint.com

5 Braco International Blvd. • Wilder, Ky 41076

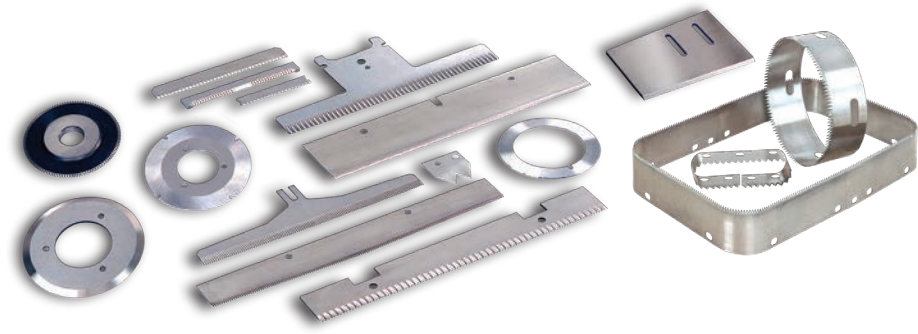
Knowledge Leader.
Valued Partner.
Superior Quality.
Delivered.™



TGW

INTERNATIONAL
MACHINE KNIFE MANUFACTURER

Packaging Solutions



At TGW, we manufacture straight tooth knives for vertical form fill seal baggers, pouch applications, horizontal seal wrappers, vacuum packaging and roll stock equipment — all made in both of our global manufacturing centers. Our serrated tooth forms are capable of cutting all types of films, with the ability to add other profiles, depending on the desired application. This same precision tooth form is also used on all our cup and tray sealing knives for portion packaging. Our packaging products include:

- Bagger knives
- Cross cut knives
- EZ open knives
- Slitters
- Cutoff knives
- Pouch knives
- Cup and tray sealing knives
- Perf blades
- Wrapper knives
- Scissor knives

Food Processing



At TGW, our great selection of straight and circular knife configurations with serrated or scalloped teeth and beveled edges ensures that we have products for every customer application. We manufacture precision ground machine knives for a variety of food processing applications, including:

- Guillotine knives
- Macerators
- Roll milled scraper blades
- Shredder blades
- Slicers
- Tenderizers
- Portioner blades
- Chopper blades

We currently provide solutions within the bakery, dairy, cereal, cheese, confectionery, meat & seafood, snack, fruit, vegetable & salad and tobacco industries. We adhere to strict quality control procedures to ensure that FDA and OEM standards for corrosion resistance are consistently met, meaning a higher quality product for our customers, extended product life and consistently clean cuts.

Tag & Label

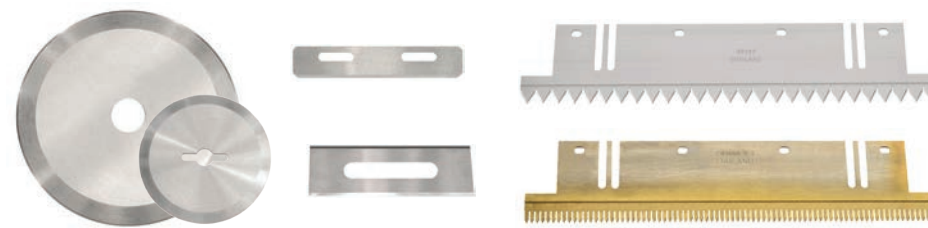


At TGW, we offer an extensive stock of superior quality knives to cater to the demands of your printing presses, slitting, perforating and cutoff production equipment. These include:

- Perforating slitters
- Top slitters
- Bottom slitters
- Razor blades
- Sheeter knives
- Knife holders
- Pneumatic air holders
- Spare parts for various holders

Our materials are selected and hardness standards strictly controlled to prolong the life and enhance the performance of the product. Our blades are consistently manufactured to OEM specifications for all types of label, ticker, precut insert and card production machines.

Bag Making & Film Converting

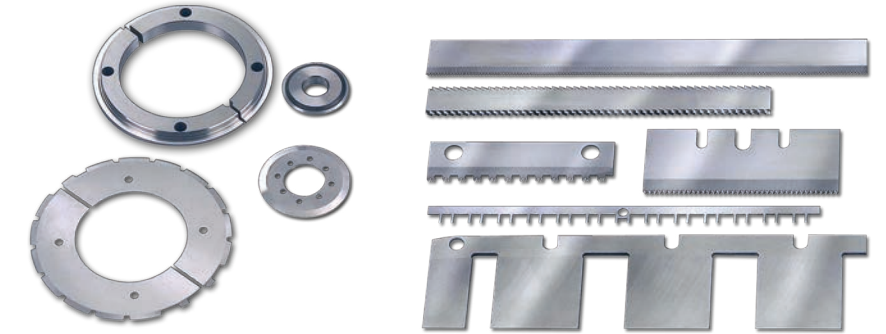


At TGW, we manufacture precision ground industrial machine knives for manufacturing bags and converting film, with coatings formulated to extend wear and provide consistent and precise cuts. We bring extensive experience with Alpha Marathon, Amplas, CMD, Gloucester and Lemo machinery and equipment, allowing us to better meet the needs of our diverse customer base. We offer:

- Core cutters
- Bag knives
- Razor blades
- Hot knives
- Dished slitter
- Pneumatic air holders

Our product line consists of a range of items, including serrated tooth knives equipped with consistent tooth forms to provide maximum yield and a consistent quality cut for all grades and thickness of films. Our stock pneumatic air holders come complete with enhanced components to provide our film, tape and textile customers with the most durable air holders available.

Press Room



At TGW, we leverage our in-depth product knowledge to design and manufacture the highest quality precision ground circular and straight knives for the commercial printing, newspaper and business forms industries.

Each knife is produced with consistent hardness and burr-free edge qualities to exceed the demands of today's high speed printing industry. Our product line includes:

- Beveled knives
- Serrated knives
- Slitters
- Splicers
- Inline rotary cutters
- Folder blades
- Additional custom designs as requested

Bindery & Mail Room



At TGW, we boast an extensive stock of superior quality knives to cater to the needs of your full line of bindery department and mailroom production equipment. Our inventory includes:

- Top slitters
- Bottom slitters
- Dished slitters
- Sheeter knives
- Perforating slitters
- Creaser blades
- Trimmers
- Rotary & fixed cutoff knives

We use advanced turning and grinding techniques, employing our unique industry and product knowledge to produce superior knives with exact flatness and bevel dimensions for superior cuts and extended life. We select our materials specifically for optimum wear qualities, with strictly controlled hardness standards for enhanced product performance.